

## Attachable indicator for transmitters with switch contact Model A-AI-2

WIKA data sheet AC 80.08

### Applications

- Machine building and plant construction
- Level measurement
- Plastics technology, plastics processing
- Ventilation and air conditioning
- General industrial applications

### Special features

- Min/Max value memory
- Up to two switch contacts for alarm or on/off control
- No power supply needed
- LED display
- Attachable to transmitters with 4 ... 20 mA output and angular connector to DIN 43650



Attachable indicator model A-AI-2

### Description

The model A-AI-2 attachable indicator is the ideal solution for an on-site display with additional switching functionality for simple signalling or control processes.

With its simple mounting and open programmability via the easily accessible push-buttons, it can also be retrofitted quickly to a pressure transmitter which is already operating.

The display is loop-powered, and so no additional power supply is needed.

The 7 mm high LED display ensures good readability, even in poor lighting conditions.

The display settings and the functions of the switch contacts are set via a logically-structured menu. With the assistance of two activatable filters, short spikes can be suppressed and thus the display and the switch response damped.

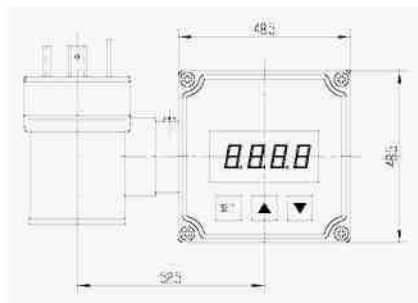
The switch contacts feature open collector outputs that can be used for both min/max alarms and for simple on/off control.

With its robust and compact plastic case, the indicator fulfills the ingress protection IP 65 and is thus suitable for a wide range of industrial applications.

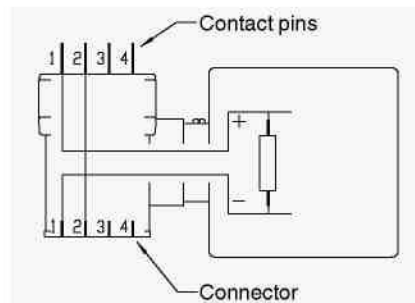
Specifications	Model A-AI-2
Display	
■ Actual value	LED, 4-digit, character size 7 mm
■ Indication range	-1999 ... +9999
■ Accuracy	± 0.2 % of the measuring span ± 1 digit
■ Sampling rate	50 measurements/sec
■ Operation	membrane keypad on the front or push buttons behind the cover of the case
Input	
■ Input signal	4 ... 20 mA (2-wire)
■ Max. permissible input	25 mA (40 mA short term)
■ Voltage drop	DC 5.5 V
Switching output	
■ One output	Open Collector, galv. isolated, max. DC 28 V, max. 20 mA, not short-circuit proof
■ {Two outputs}	Load max. 1 A, connection via additional M8 connector
Equipment	
■ Filter	activatable, 3 filter stages
■ Min/Max value memory	retrievable via keypad
■ Control characteristic	on/off (two-point control)
■ Alarm function	Min/Max alarm with settable time delay
Electrical connection	to transmitter with 4 ... 20 mA output and angular connector to DIN 43650, polarity-free mounting
CE conformity	
■ EMC directives	2004/108/EC, EN 61326 Emission (Group 1, Class B) and Immunity (industrial locations)
Permissible	
■ Operating temperature	-25 ... +50 °C
■ Storage temperature	-30 ... +85 °C
■ Humidity	0 ... 80 % relative humidity (no condensation)
Temperature effect on the indication	0.1% / 10 K
Case	
■ Material	ABS case, polycarbonate front panel, membrane keypad
■ Ingress protection	IP 65 (when properly fitted)
■ Weight	approx. 80 g
■ Dimensions in mm	approx. 50.5 x 90 x 39.5 (L x B x T) incl. angular plug
■ Scope of delivery	Attachable indicator, mounting screws, profile sealing, operating instructions

( ) Items in curved brackets are optional extras for an additional price.

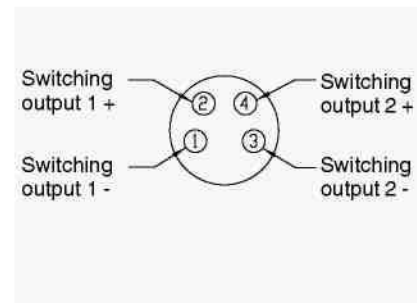
#### Dimensions in mm



#### Electrical connection



#### Version with two switching outputs



© 2011 WIKA Alexander Wiegand SE & Co. KG, all rights reserved.  
The specifications given in this document represent the state of engineering at the time of publishing.  
We reserve the right to make modifications to the specifications and materials.

ООО ТД «АЗТЭО»  
624260, Россия Свердловская область,  
г. Асбест, пр. Ленина, 8/3  
Тел: 8 (34365) 2-87-74, 2-45-52  
Факс: 8 (34365) 2-87-74  
E-mail: zakaz@azteo.ru