

Bourdon tube pressure gauge with electronic pressure switch Standard version, cable outlet Model PGS05

WIKA data sheet PV 21.03

switchGAUGE

Applications

- For monitoring of water pressure changes in heating plants (wall-type boilers, free-standing boilers)

Special features

- Non-contact sensor (wear-free)
- Case made of plastic with snap-fit cams for panel mounting
- Scale ranges 0 ... 2.5 bar to 0 ... 10 bar
- NPN or PNP switching output
- Switch point factory-programmable between 5 % and 95 % of the scale range



Bourdon tube pressure gauge model PGS05

Description

Design
EN 837-1

Nominal size in mm
40

Accuracy class
2.5

Scale ranges
0 ... 2.5 to 0 ... 10 bar
or all other equivalent vacuum or combined pressure and vacuum ranges

Pressure limitation
Steady: 3/4 x full scale value
Fluctuating: 2/3 x full scale value
Short time: Full scale value

Permissible temperature
Ambient: -20 ... +60 °C
Medium: +60 °C maximum

Temperature effect
When the temperature of the measuring system deviates from the reference temperature (+20 °C): max. $\pm 0.4 \%$ /10 K of the span

Process connection
Cu-alloy,
lower back mount (LBM),
capillary, length 450 mm, with male thread G 1/4 connection

Pressure element
Cu-alloy, C-type

Movement
Cu-alloy

Dial

Plastic, white, black lettering

Pointer

Plastic, black

Case

Plastic, black (PA)

Window

Plastic, crystal-clear (PC)

Ingress protection

IP 40 per EN 60529 / IEC 529

Electrical connections

Cable outlet, standard length 2 m

Colour	Assignment
red	U _B +
black	GND
orange	SP1

Switching current

Max. 300 mA

Electromagnetic compatibility

Per test standards EN 61000-4-6 / EN 61000-4-3

Electronics**Switching output**

- NPN

- PNP

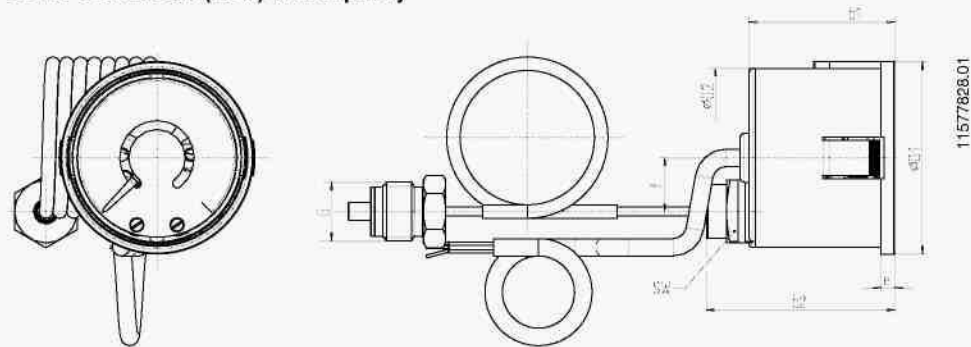
Normally closed (NC) or normally open (NO)

Supply voltage (Us)

DC 12 ... 32 V

Options

- Other process connection
- Other capillary length
- Other cable length

Dimensions in mm**Standard version****Lower back mount (LBM) with capillary**

NS	Dimensions in mm								Weight in kg
	b ₁	b ₂	D ₁	D ₂	G	e	f	SW	
40	32.5	42	43	40	G 1/4	3	12	14	0.12

Ordering information

Model / Nominal size / Scale range / Connection size / Connection location / Switch point and function / Options

© 2008 WIKA Alexander Wiegand SE & Co. KG, all rights reserved.
 The specifications given in this document represent the state of engineering at the time of publishing.
 We reserve the right to make modifications to the specifications and materials.

ООО ТД «АЗТЭО»

624260, Россия Свердловская область,

г. Асбест, пр. Ленина, 8/3

Тел: 8 (34365) 2-87-74, 2-45-52

Факс: 8 (34365) 2-87-74

E-mail: zakaz@azteo.ru