

Diaphragm pressure gauge with switch contacts

Model 432.56, high overpressure safety up to 100 bar

Model 432.36, safety version, high overpressure safety up to 400 bar

WIKA data sheet PV 24.07



for further approvals
see page 3

switchGAUGE

Applications

- Control and regulation of industrial processes at measuring points with increased overpressure and scale ranges from 0 ... 25 mbar
- Monitoring of plants and switching of electric circuits
- For gaseous and liquid, aggressive and highly viscous or contaminated media, also in aggressive ambience
- Process industry: Chemical, petrochemical, power plants, mining, on- and offshore, environmental technology, machine building and general plant construction

Special features

- High overpressure safety, optionally up to 40, 100 or 400 bar, due to metallic diaphragm cushion, without liquid-filled measuring cell
- Wide choice of special materials
- Also available with liquid-filled case for high dynamic pressure loads or vibrations
- Gauges with inductive contacts for use in hazardous areas with ATEX approval
- Gauges with electronic contact for PLC applications

Description

Wherever the process pressure has to be indicated locally, and, at the same time, circuits are to be made or broken, the model 432.56 or 432.36 switchGAUGE can be used.

Switch contacts (electrical alarm contacts) make or break an electric control circuit dependent upon the position of the instrument pointer. The switch contacts are adjustable over the full extent of the scale range (see DIN 16085), and are mounted predominantly below the dial, though also partly on top of the dial. The instrument pointer (actual value pointer) moves freely across the entire scale range, independent of the setting.

The set pointer can be adjusted using a removable adjustment key in the window.

Switch contacts consisting of several contacts can also be



Diaphragm pressure gauge model 432.56.100, high overpressure safety up to 40 bar, with switch contact model 831.21

set to a single set point. Contact actuation is made when the actual value pointer travels beyond or below the desired set point.

The pressure gauge is manufactured in accordance with DIN 16085 and fulfils all requirements of the relevant standards (EN 837-3) and regulations for the on-site display of the working pressure of pressure vessels.

As switch contacts magnetic snap-action contacts, reed switches, inductive contacts - for requirements to ATEX - or electronic contacts for triggering a PLC are available. For further information on the different switch contacts please see data sheet AC 08.01.

Standard version

Nominal size in mm

100, 160

Accuracy class

1.6

Scale ranges

0 ... 25 mbar to 0 ... 250 mbar (flange Ø 160 mm) ¹⁾

0 ... 400 mbar to 0 ... 40 bar (flange Ø 100 mm) ¹⁾

or all other equivalent vacuum or combined pressure and vacuum ranges

Pressure limitation

Steady: Full scale value

Fluctuating: 0.9 x full scale value

Overpressure safety

40, 100 or 400 bar

Permissible temperature

Ambient: -20 ... +60 °C

Medium: +100 °C maximum

Temperature effect

When the temperature of the measuring system deviates from the reference temperature (+20 °C):

max. ±0.8 %/10 K of full scale value

Process connection with lower measuring flange

Stainless steel 316L, G ½ B (male), 27 mm flats

Pressure element

≤ 0.25 bar: Stainless steel 316L

> 0.25 bar: NiCr-alloy (Inconel)

Pressure chamber sealing

FPM/FKM

Movement

Stainless steel

Dial

Aluminium, white, black lettering

Pointer

Instrument pointer: Aluminium, black

Set pointer: red

Case

Stainless steel, gauges with liquid filling with compensating valve to vent case

Model 432.56: with blow-out device

Model 432.36: safety version with solid baffle wall and blow-out back

Upper measuring flange

≤ 0.25 bar: Chrome steel

> 0.25 bar: NiCr-alloy

Window

Laminated safety glass

Bezel ring

Cam ring (bayonet type), stainless steel

Electrical connection

Terminal box

Ingress protection

IP 54 per EN 60529 / IEC 529

1) Flange Ø for model 432.36, high overpressure safety up to 400 bar see page 3

Switch contacts

Magnetic snap-action contact model 821

- No control unit and no extra power supply required
- Direct switching up to 250 V, 1 A
- Up to 4 switch contacts per measuring instrument

Inductive contact model 831

- Long service life due to non-contact sensor
- Additional control unit required (model 904)
- With corresponding control unit suitable for use in zone 1 / 21 (2 GD) hazardous areas
- Low effect on the indication accuracy
- Fail-safe switching at high switching rates
- Insensitive to corrosion
- Up to 3 switch contacts per measuring instrument

Electronic contact model 830 E

- For direct triggering of a programmable logic controller (PLC)
- 2-wire system (option: 3-wire system)
- Long service life due to non-contact sensor
- Low effect on the indication accuracy
- Fail-safe switching at high switching rates
- Insensitive to corrosion
- Up to 3 switch contacts per measuring instrument

Reed switch model 851

- No control unit and no extra power supply required
- Direct switching up to 250 V, 1 A
- Also suitable for direct triggering of a programmable logic controller (PLC)
- Free from wear as without contact
- Up to two change-over contacts per measuring instrument

Switching function

The switching function of the switch is indicated by function index 1, 2 or 3.

Model 8xx.1: Contact makes (clockwise pointer motion)

Model 8xx.2: Contact breaks (clockwise pointer motion)

Models 821.3 and 851.3: Change over; one contact breaks and one contact makes simultaneously when pointer reaches set point

For further information please see data sheet AC 08.01, electrical switch contacts

Options

- Other process connection
- Sealings (model 910.17, see data sheet AC 09.08)
- Liquid filling (models 433.56, 433.36, ingress protection IP 65)
- Vacuum safe to -1 bar
- Max. medium temperature +200 °C
- Higher indication accuracy, class 1.0
- Open connecting flanges per DIN/ASME from DN 15 to DN 80 (preferred nominal widths DN 25 and 50 or DN 1" and 2"; see data sheet IN 00.10)
- Wetted parts made of special materials, high overpressure safety up to 10 bar (flange Ø 160 mm) or 40 bar (flange Ø 100 mm): PTFE (models 452.56, 452.36), Hastelloy, Monel, nickel, tantalum, titanium (accuracy class 2.5)
- Additional wall bracket for model 432.36, high overpressure safety up to 400 bar
- Druckmessgerät mit Schaltkontakten, siehe Datenblatt PV 24.07
- Inductive contacts also in safety version (SN, S1N)

CE conformity

Pressure equipment directive

97/23/EC, PS > 200 bar, module A, pressure accessory

EMC directive

2004/108/EC, EN 61326 emission (group 1, class B) and interference immunity (industrial application)

ATEX directive ¹⁾

94/9/EC, II 2 G Ex ia IIC

¹⁾ Option

Special version

Model 432.36, high overpressure safety up to 400 bar

Scale ranges:

0 ... 25 mbar to 0 ... 250 mbar (flange Ø 190 mm)

0 ... 400 mbar to 0 ... 40 bar (flange Ø 120 mm)

Flange connecting screws: Steel, corrosion-protected

Note: For increased vibration loads (> 0.5 g) use an additional wall bracket (see options).

Approvals

- **ATEX**, Design approval for connection to hazardous zone 0 ¹⁾
- **GOST**, metrology/measurement technology, Russia
- **GOST-R**, import certificate, Russia
- **KOSHA**, ignition protection type „i“ - intrinsic safety, South Korea
- **CRN**, safety (e.g. electr. safety, overpressure, ...), Canada

Certificates ¹⁾

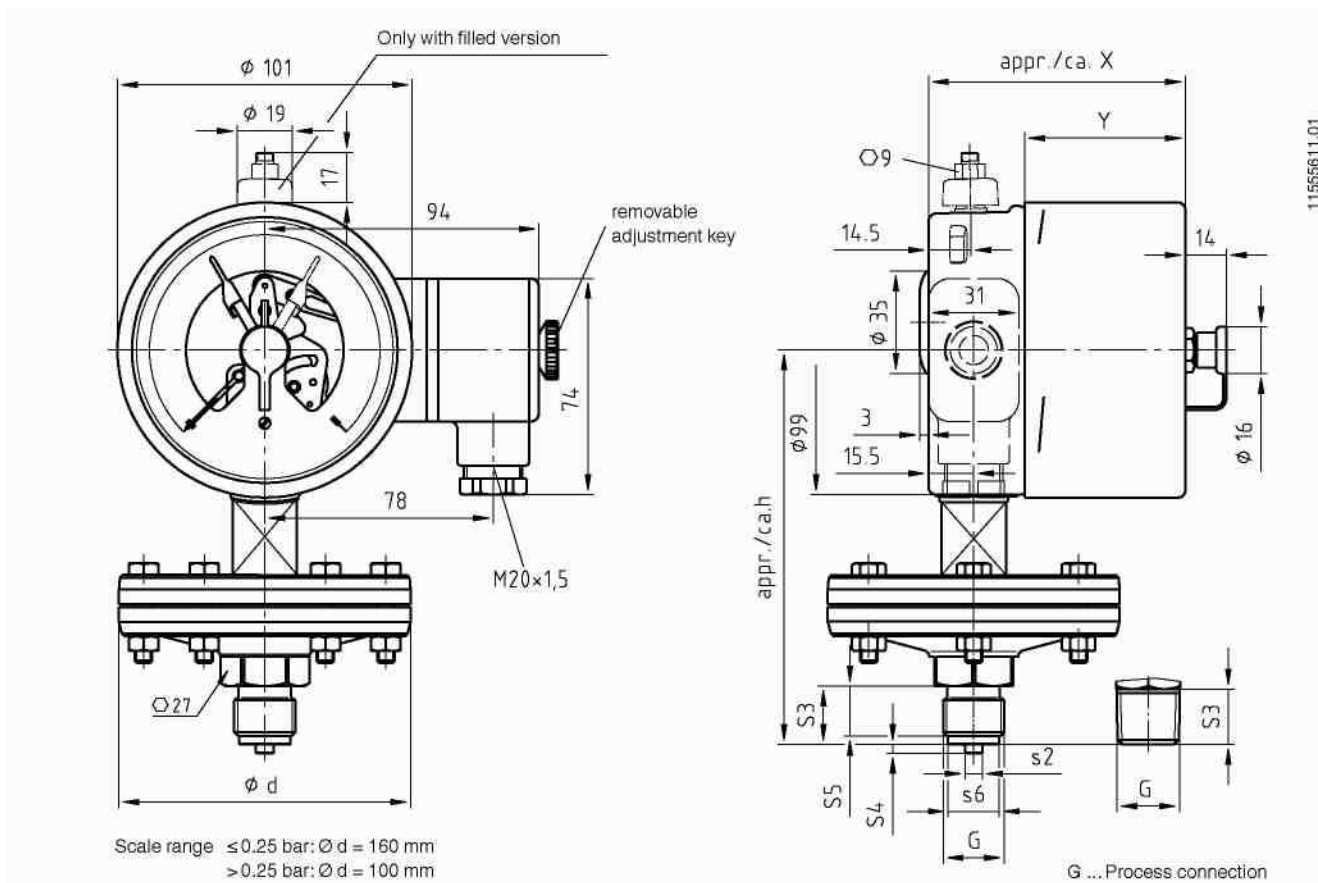
- 2.2 test report per EN 10204 (e.g. state-of-the-art manufacturing, material proof, indication accuracy)
- 3.1 inspection certificate per EN 10204 (e.g. material proof wetted parts metal component, indication accuracy)

¹⁾ Option

Approvals and certificates, see website

Dimensions in mm

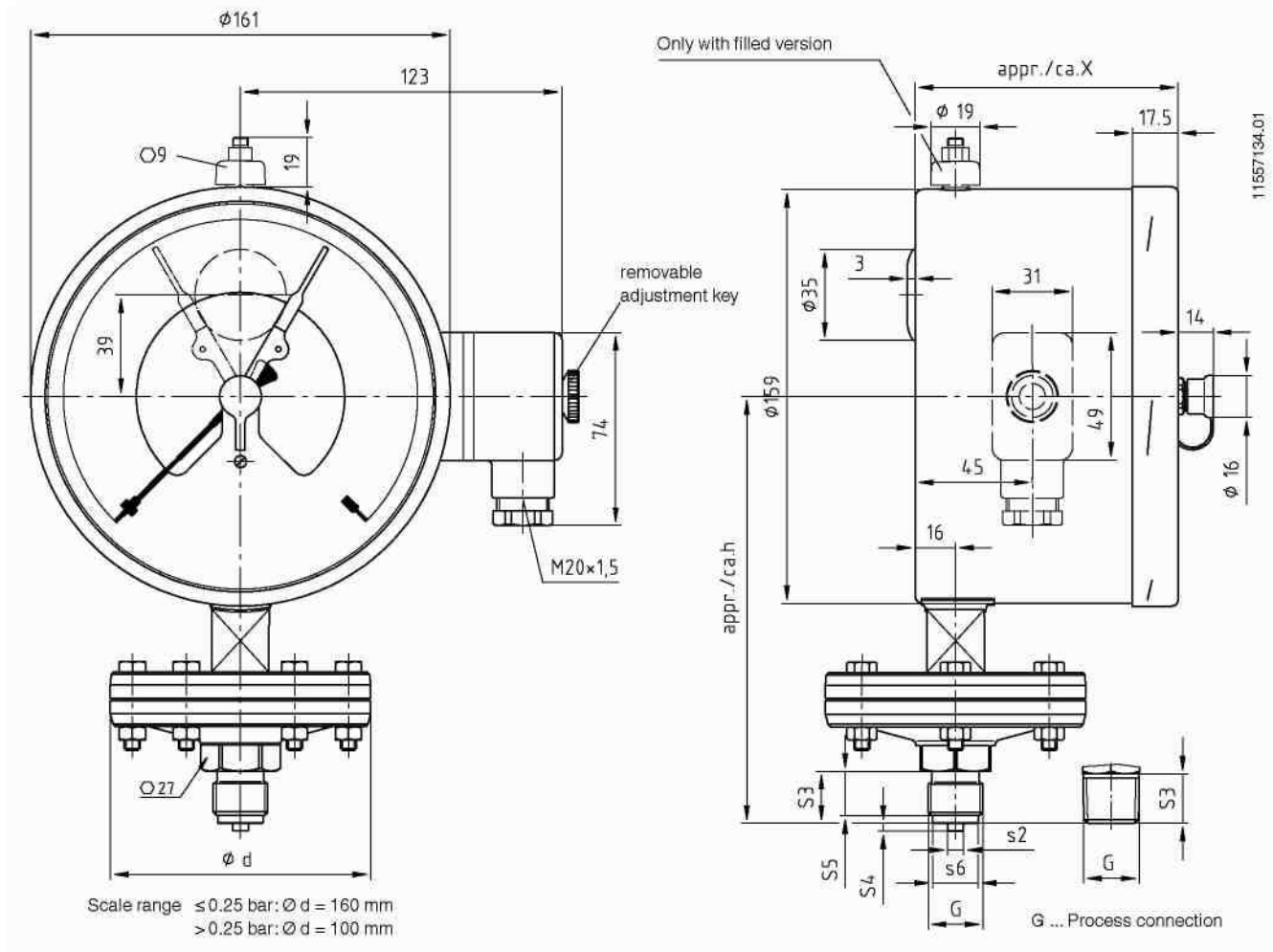
switchGAUGE model 432.56.100, with switch contact model 821, 831 or 830 E



Type of contact	Dimensions in mm	
	X	Y
Single or double contact	88	55
Double contact (SPDT)	113	80
Triple contact	96	63
Quadruple contact	113	80

Process connection	Dimensions in mm					
	$h \pm 1$	S2	S3	S4	S5	S6
G ½ B	135	6	20	3	17	17.5
½ NPT	134	-	19	-	-	-

switchGAUGE model 432.56.160, with switch contact model 821, 831 or 830 E

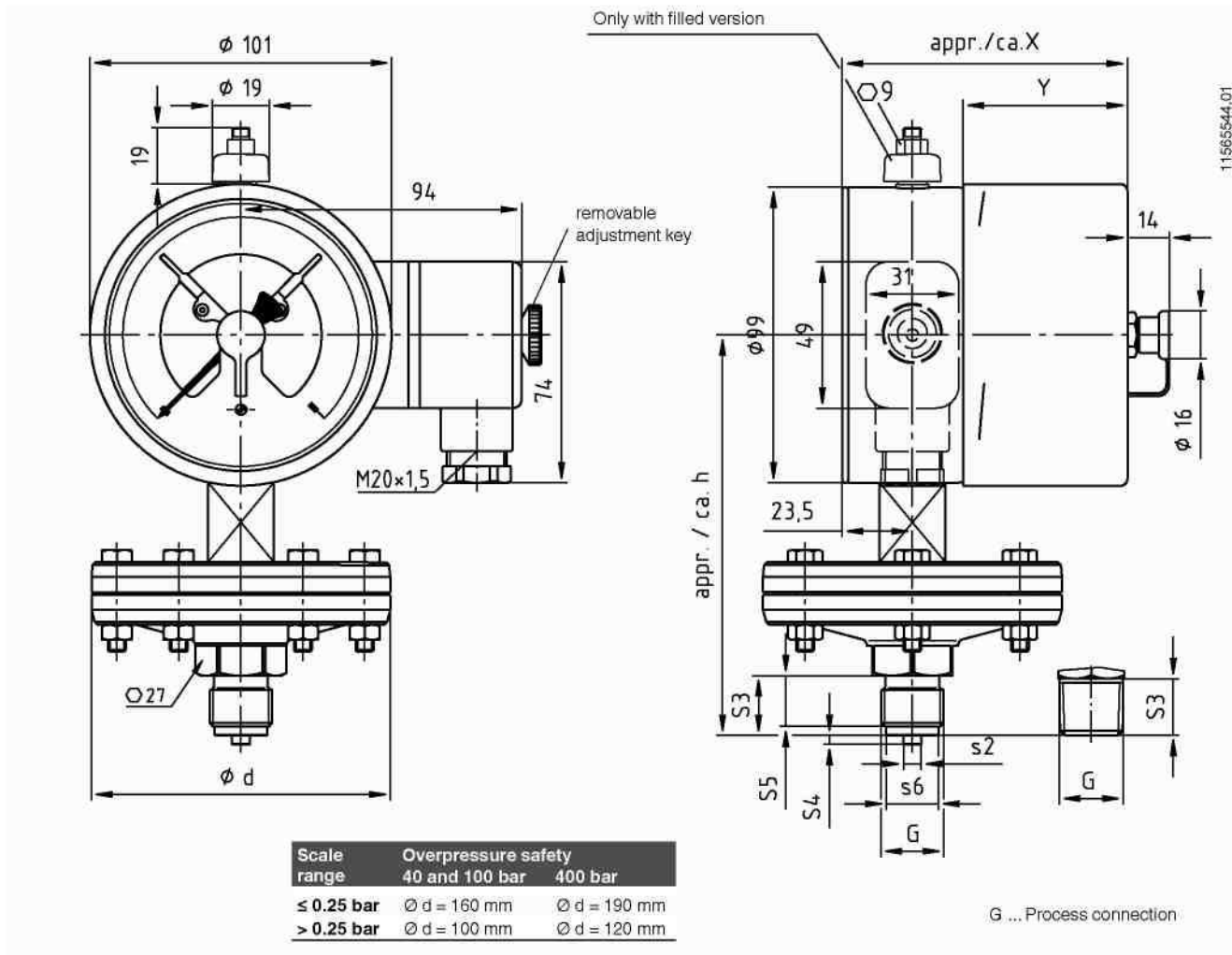


Type of contact	Dimensions in mm X
Single or double contact	102
Double contact (SPDT)	116
Triple contact	102
Quadruple contact	116

Process connection	Dimensions in mm					
	h ± 1	S2	S3	S4	S5	S6
G 1/2 B	164	6	20	3	17	17.5
1/2 NPT	163	-	19	-	-	-

Option

switchGAUGE model 432.36.100, with switch contact model 821, 831 or 830 E

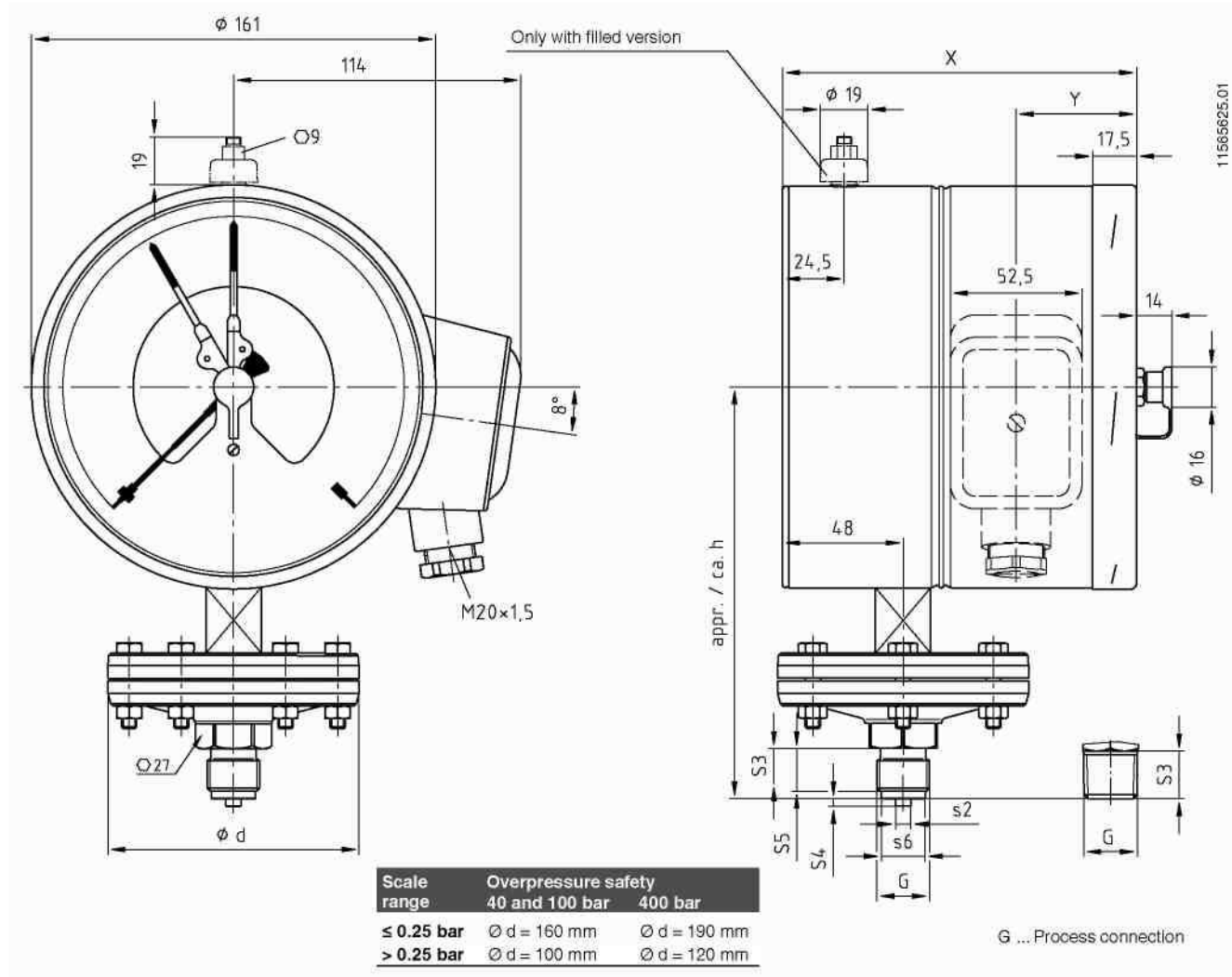


Type of contact	Dimensions in mm	
	X	Y
Single or double contact	97	55
Double contact (SPDT)	122	80
Triple contact	105	63
Quadruple contact	122	80

Process connection	Dimensions in mm					
	h ±1	S2	S3	S4	S5	S6
G ½ B	134	6	20	3	17	17.5
½ NPT	133	-	19	-	-	-

Option

switchGAUGE model 432.36.160, with switch contact model 821, 831 or 830 E

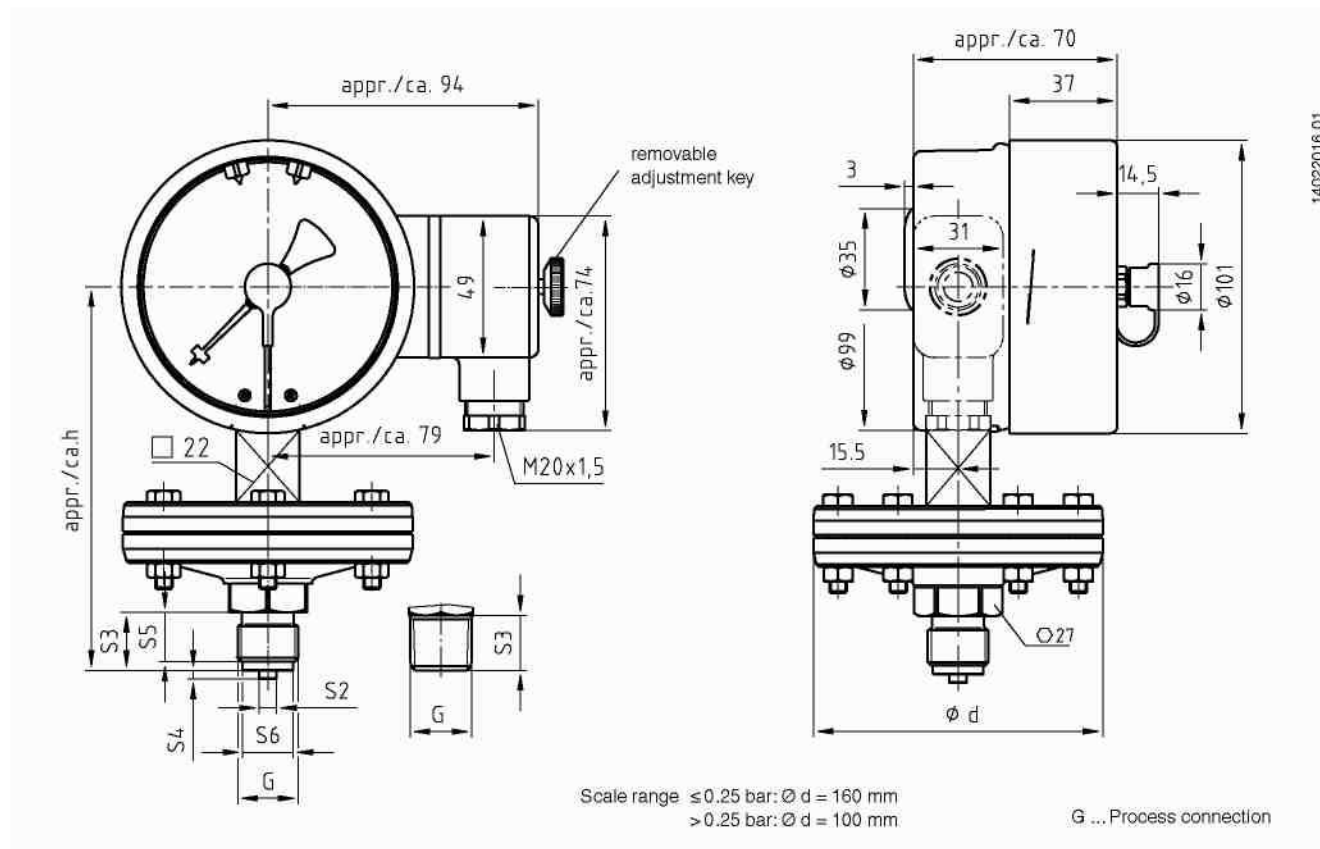


Type of contact	Dimensions in mm	
	X	Y
Single or double contact	141	48
Triple contact	153.5	60.5

Process connection	Dimensions in mm					
	h ±1	S2	S3	S4	S5	S6
G ½ B	164	6	20	3	17	17.5
½ NPT	163	-	19	-	-	-

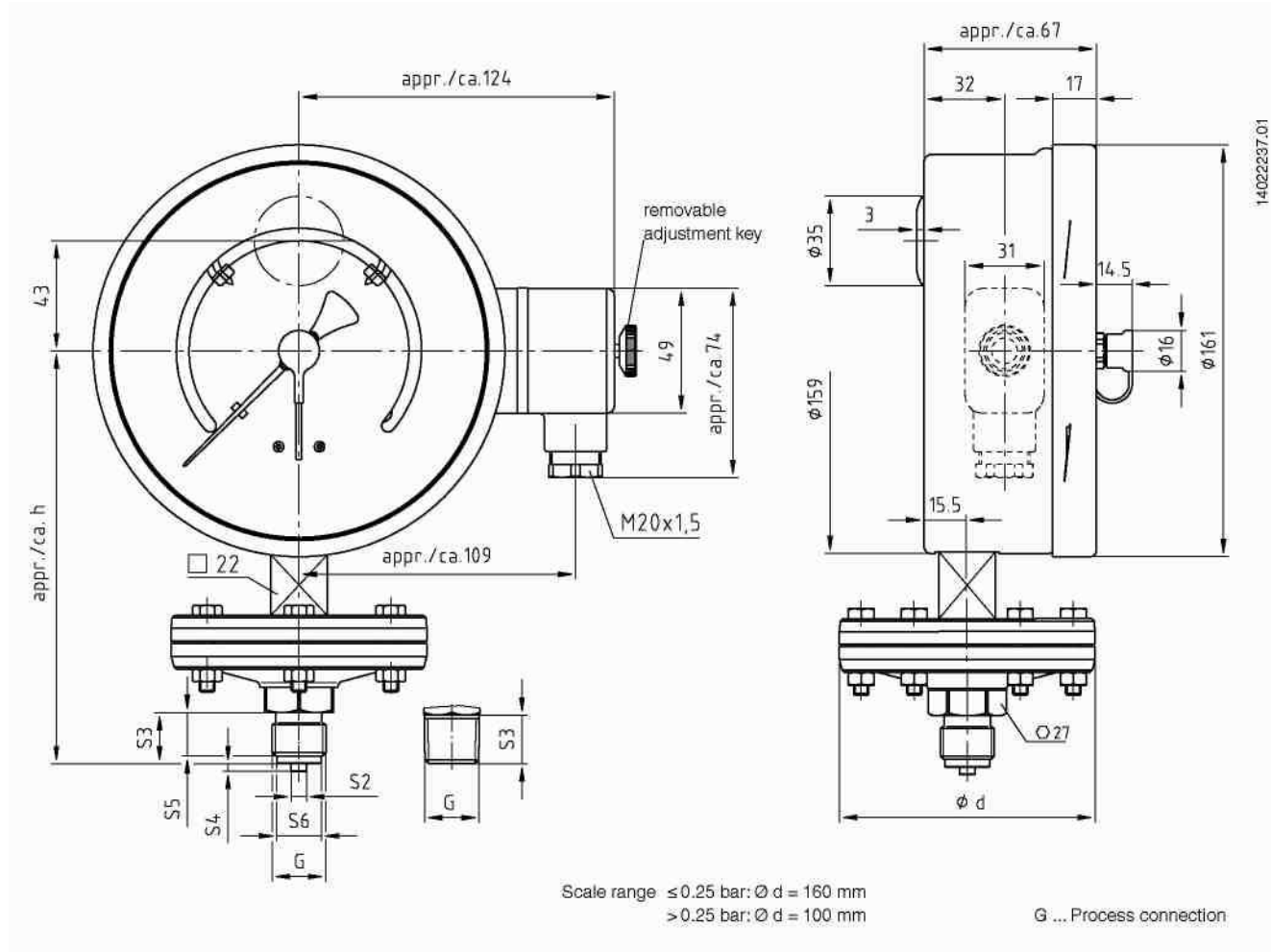
Dimensions in mm

switchGAUGE model 432.56.100, with switch contact model 851.3 or 851.33



Process connection	Dimensions in mm					
	h ± 1	S2	S3	S4	S5	S6
G 1/2 B	135	6	20	3	17	17.5
1/2 NPT	134	-	19	-	-	-

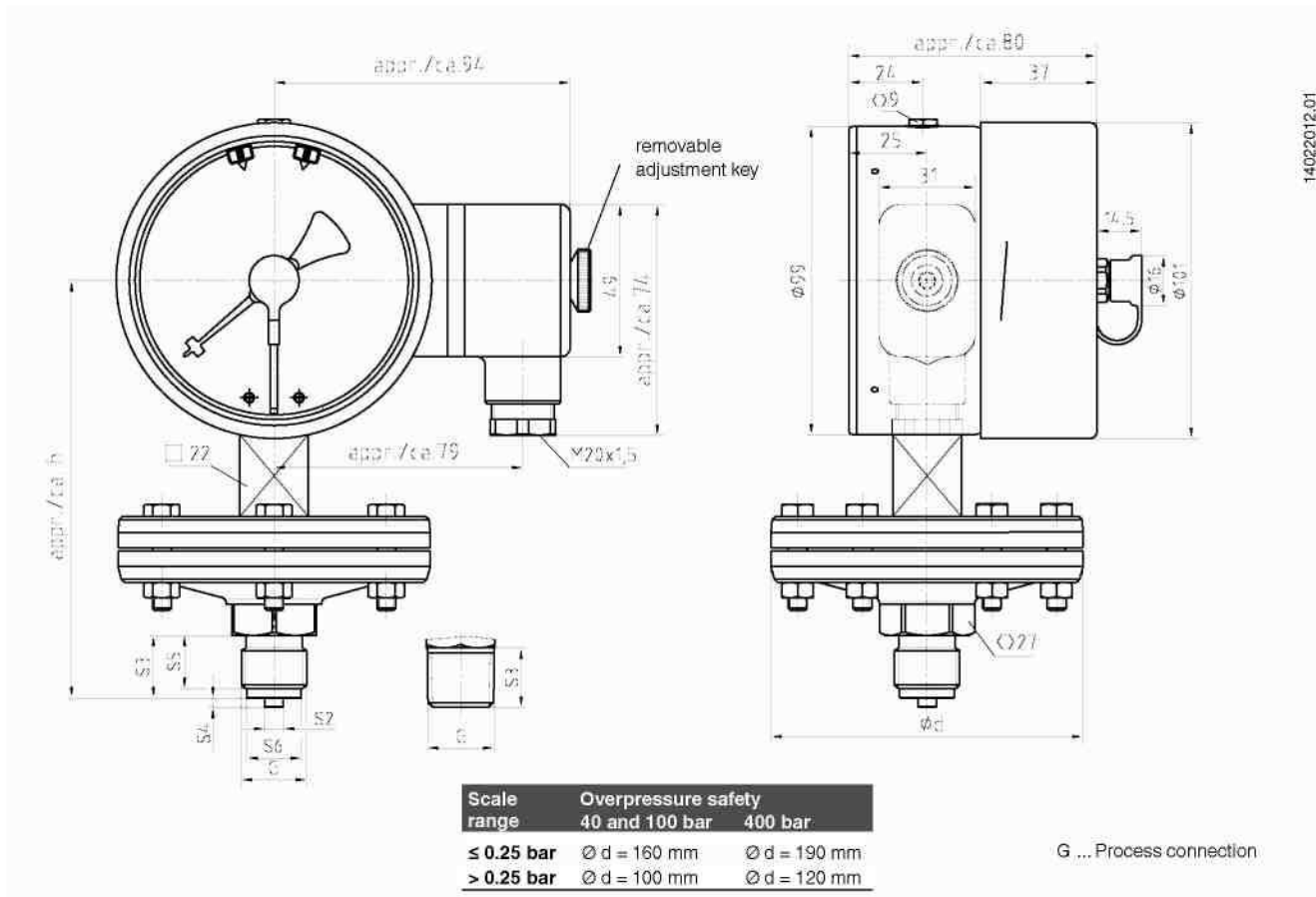
switchGAUGE model 432.56.160, with switch contact model 851.3 or 851.33



Process connection	Dimensions in mm					
	h ±1	S2	S3	S4	S5	S6
G ½ B	164	6	20	3	17	17.5
½ NPT	163	-	19	-	-	-

Option

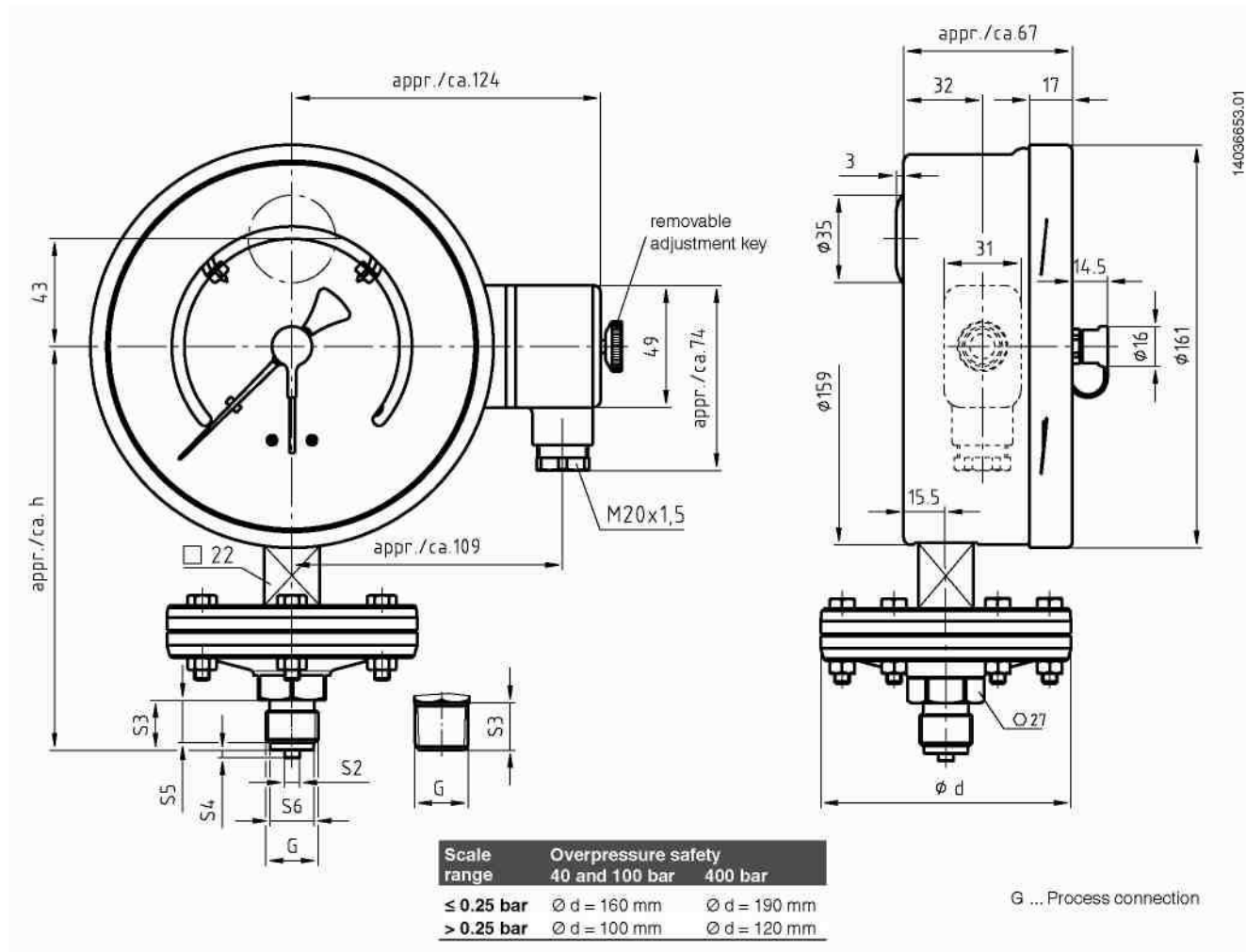
switchGAUGE model 432.36.100, with switch contact model 851.3 or 851.33



Process connection	Dimensions in mm					
	h ±1	S2	S3	S4	S5	S6
G ½ B	135	6	20	3	17	17.5
½ NPT	134	-	19	-	-	-

Option

switchGAUGE model 432.36.160, with switch contact model 851.3 or 851.33



Process connection	Dimensions in mm					
	h ±1	S2	S3	S4	S5	S6
G ½ B	165	6	20	3	17	17.5
½ NPT	164	-	19	-	-	-

Ordering information

Model / Nominal size / Overpressure safety up to ... bar / Scale range / Type of contact and switching function / Connection size / Options

© 2010 WIKA Alexander Wiegand SE & Co. KG, all rights reserved.
The specifications given in this document represent the state of engineering at the time of publishing.
We reserve the right to make modifications to the specifications and materials.